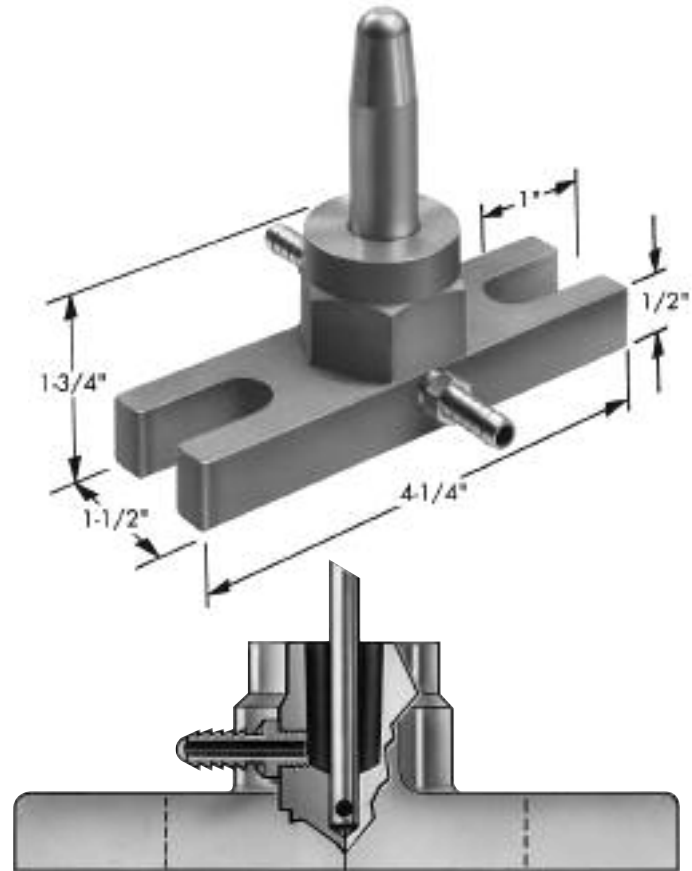


## PM HOLDERS

TUFFALOY PM holders may be mounted directly to press-type welder platens, or they can be used as components of special weld fixturing. They come in two sizes, which match standard T-slot spacings (either of which can be furnished to hold any of the four standard tips: 4, 5, 6 or 7 RW). The smaller holder is for use on RWMA Size 1 welders, which have the 3-1/2" spacing. The larger one is for the Size 2 and 3 welders, which have the 5- and 6-inch spacing.

Big, half-inch mounting bolts may be used to assure good conductivity. The holders may be used one-to-one or in multiples closely bunched. PM holders make special fixture building easy. They can be bolted to a fixture or back-up base as easily as to a platen. They are compact and have self-contained coolant systems.



Size 2 PM Holder (3/4-in. mounting bolts)

### STANDARD TIP PM HOLDERS

| RW Tip Socket | Size 1 (Small) |          | Size 2 (Large) |           |
|---------------|----------------|----------|----------------|-----------|
|               | Description    | Part No. | Description    | Part No.  |
| 4             | 4560           | 350-4560 | 4570           | 350-4570  |
| 5             | 4561           | 350-4561 | 4571           | 350-4571  |
| 6             | 4562           | 350-4562 | 4572           | 350-4572* |
| 7             | 4563           | 350-4563 | 4573           | 350-4573  |

\*Item not normally stocked

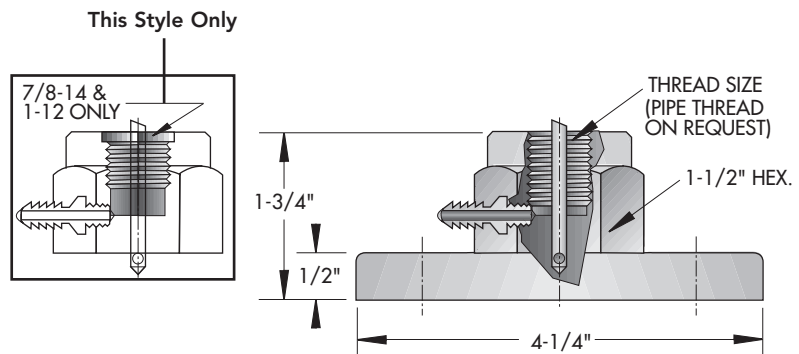
### FOR THREADED ELECTRODES

| Thread Size | Size 1   | Size 2   |
|-------------|----------|----------|
| 5/8-11      | 350-4580 | 350-4590 |
| 3/4-10      | 350-4581 | 350-4591 |

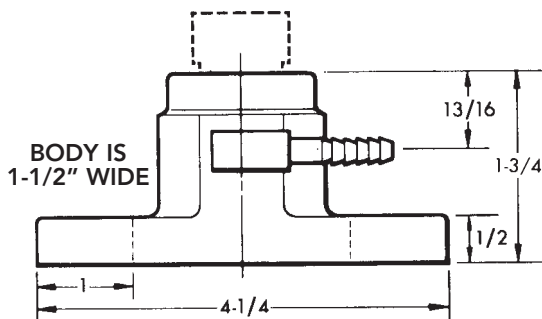
### FOR THREADED ADAPTERS

| Thread Size | Size 1   | Size 2   |
|-------------|----------|----------|
| 7/8-14      | 350-4582 | 350-4592 |
| 1-12        | 350-4583 | 350-4593 |

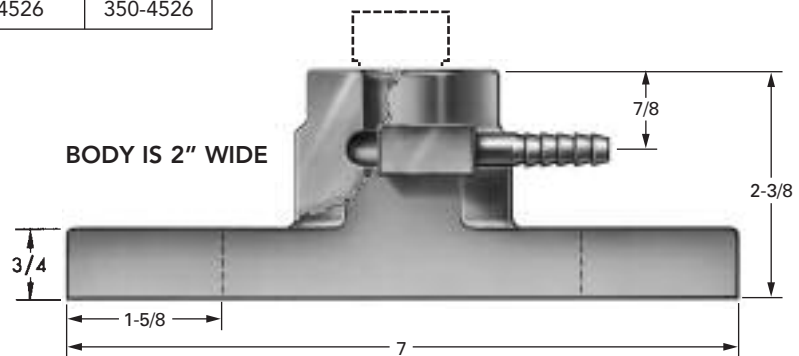
See adapters page 16



| PM Holders T-Slot Spacing | Holder Size | For 1" Dia. Electrodes |          | For 1-1/2" Dia. Electrodes |          |
|---------------------------|-------------|------------------------|----------|----------------------------|----------|
|                           |             | Description            | Part No. | Description                | Part No. |
| 3-1/2                     | 1PM         | 4515                   | 350-4515 |                            |          |
| 5 & 6                     | 2PM         | 4525                   | 350-4525 | 4526                       | 350-4526 |



Size 1 PM Holder



Size 2 PM Holder