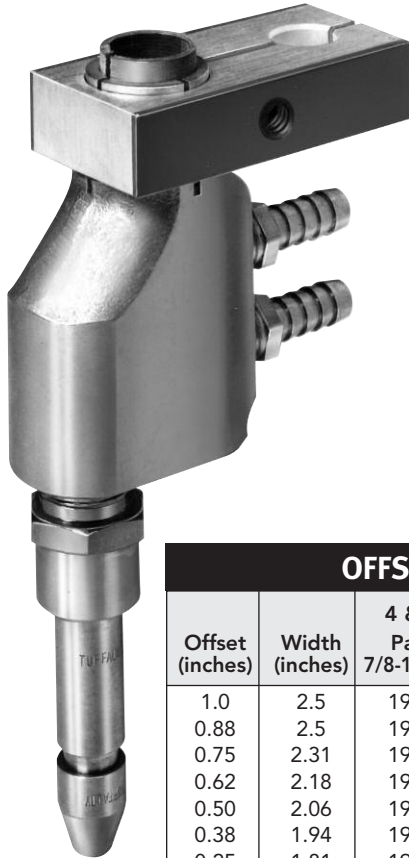


# TUFFALOY CYLINDER-MOUNTED HOLDERS

These standard-tip holders are mounted directly to air or hydraulic cylinder pistons. They are ideal for assembling special multi-head resistance welding equipment. Current and coolant water are brought to each of the holders separately.

Electrode adapters for the tip diameter being used and in lengths to suit your set-up are ordered separately: see page 17. Water tubes, for carrying water into the tip, should also be ordered separately.

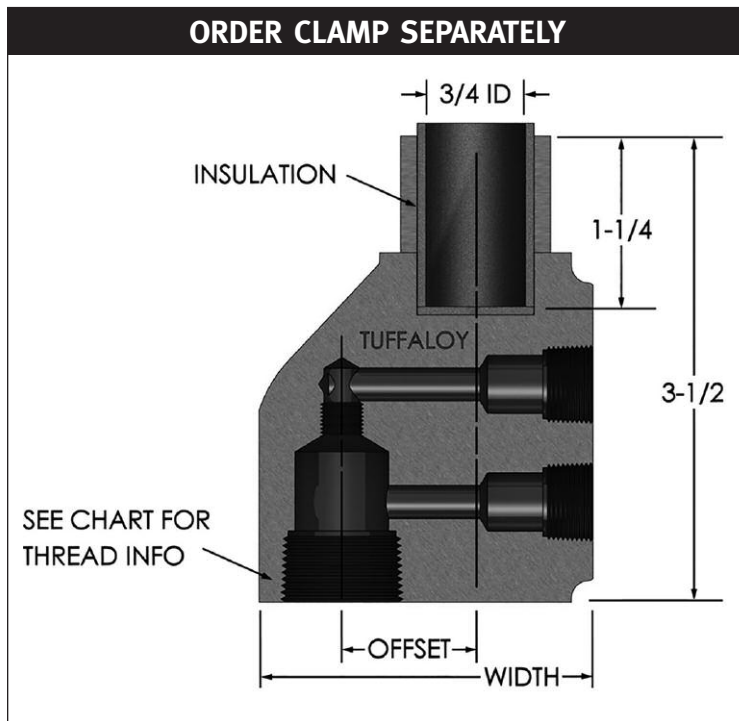
TUFFALOY offers both straight and offset holders for cylinder mounting. Clamps, hose connections, water tubes and adaptors are not included. Order separately.



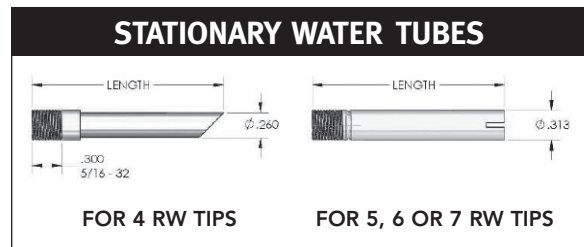
## OFFSET HOLDERS

Offset holders are offered in eight offset sizes, from 1/8 to 1 inch. The standard models have a 1/2-NPT adapter socket, to hold adapters for 4 & 5RW tips. Ordering a 3/4-NPT socket will permit adapters for 6 & 7RW tips to be used.

OFFSET HOLDERS				
Offset (inches)	Width (inches)	4 & 5 RW Part No. 7/8-14 Threads	4 & 5 RW Part No. 1/2" Pipe	6 & 7 RW Part No. 3/4" Pipe
1.0	2.5	194-1578	194-1588	194-1598
0.88	2.5	194-1577	194-1587	
0.75	2.31	194-1576	194-1586	194-1596
0.62	2.18	194-1575	194-1585	
0.50	2.06	194-1574	194-1584	194-1594
0.38	1.94	194-1573	194-1583	
0.25	1.81	194-1572	194-1582	
0.12	1.68	194-1571	194-1581	



To determine distance adapter sticks out from holder, deduct 1/2-in from length of adapter selected. Water tubes 1/2-in. longer than adapter will install approximately flush with adapter face.



Length	FOR 4RW USE		FOR 5RW, 6RW OR 7RW USE	
	Description	Part No.	Description	Part No.
3/4	301-.7	194-3107	312-.7	194-3207
1	301-1.0	194-3110	312-1.0	194-3210
1-1/4	301-1.2	194-3112	312-1.2	194-3212
1-1/2	301-1.5	194-3115	312-1.5	194-3215
1-3/4	301-1.7	194-3117	312-1.7	194-3217
2	301-2.0	194-3120	312-2.0	194-3220
2-1/2	301-2.5	194-3125	312-2.5	194-3225
3	301-3.0	194-3130	312-3.0	194-3230
3-1/2	301-3.5	194-3135	312-3.5	194-3235
4	301-4.0	194-3140	312-4.0	194-3240
4-1/2	301-4.5	194-3145	312-4.5	194-3245

