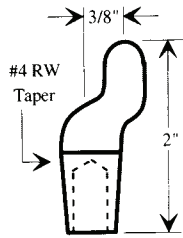
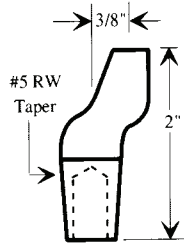


CAST IRREGULAR OFFSET TIPS

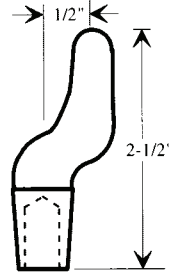
CAST IRREGULAR OFFSET TIPS



OF1-375

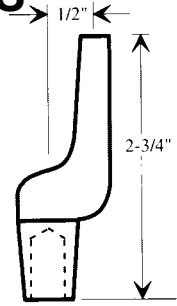


OF2-375



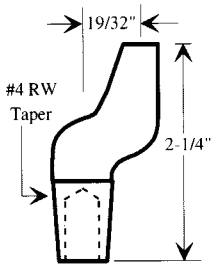
OF1-500S / OF2-500S

#4 RW / #5 RW

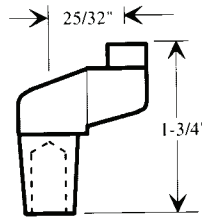


OF1-500 / OF2-500

#4 RW / #5 RW

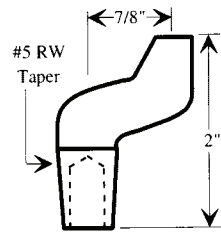


OF1-1932

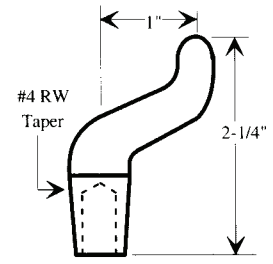


OF1-2532 / OF2-2532

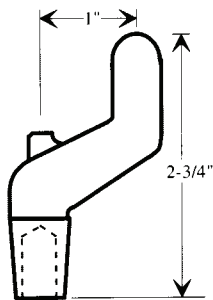
#4 RW / #5 RW



OF2-875

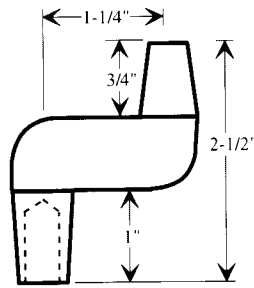


OF1-1000S



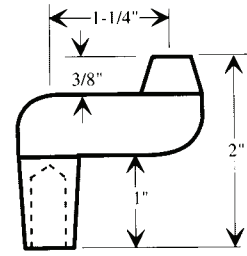
OF1-1000 / OF2-1000

#4 RW / #5 RW



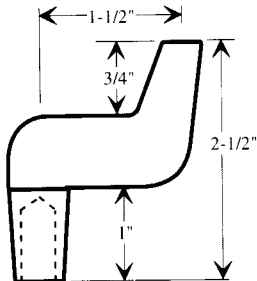
OF1-1250 / OF2-1250

#4 RW / #5 RW
(FORGED)



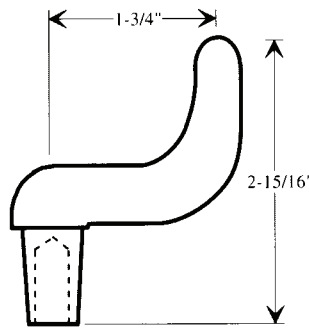
OF1-1250S / OF2-1250S

#4 RW / #5 RW
(FORGED)



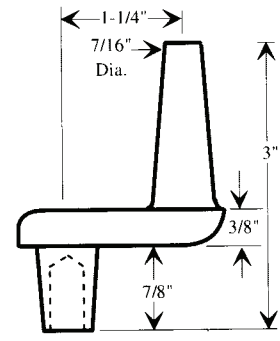
OF1-1500 / OF2-1500

#4 RW / #5 RW
(FORGED)



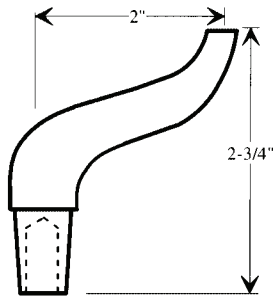
OF1-1750 / OF2-1750

(RW-985 / RW-959)
#4 RW / #5 RW



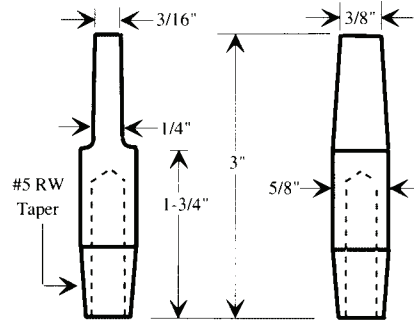
RW-969 / RW-1284

#4 RW / #5 RW

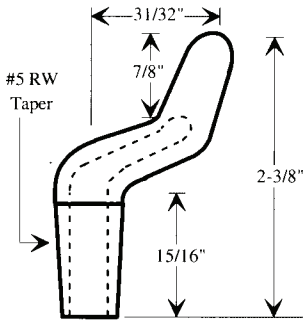


OF1-2000 / OF2-2000

(RW-1995 / RW-88)
 #4 RW / #5 RW

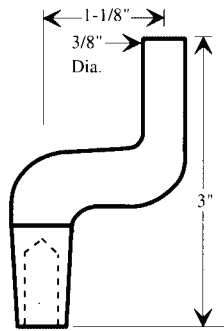


RW-990



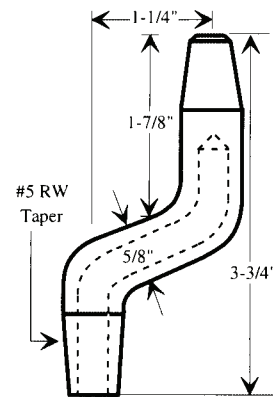
RW-1190

Cold Formed Tip



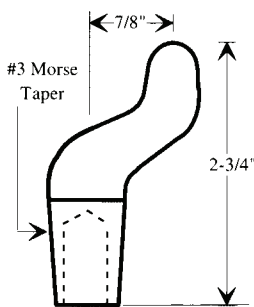
SPB-553-1 / SPB-553-2

(RW-1137 / RW-1138)
 #4 RW / #5 RW
Cold Formed

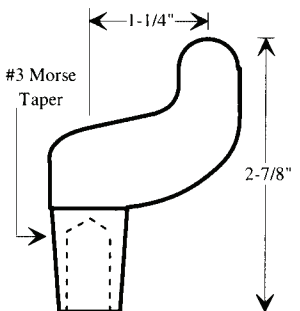


OF2-1250 3.75

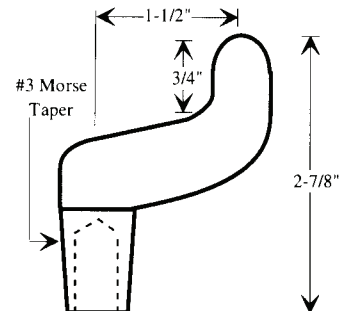
Cold Formed
OP-25312-20-30N-16T



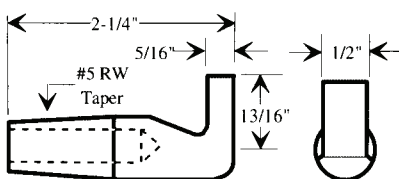
OF3-875



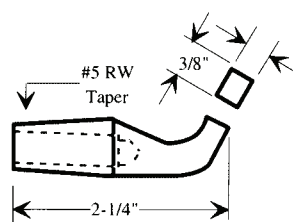
OF3-1250



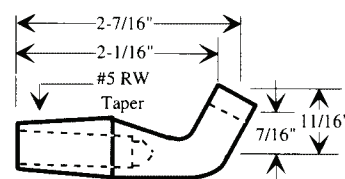
OF3-1500



RW-1178



A2-200



A2-205

CAST IRREGULAR OFFSET TIPS