

400 SERIES OFFSET (NON-EJECTOR) WATER COOLED ELECTRODE HOLDERS

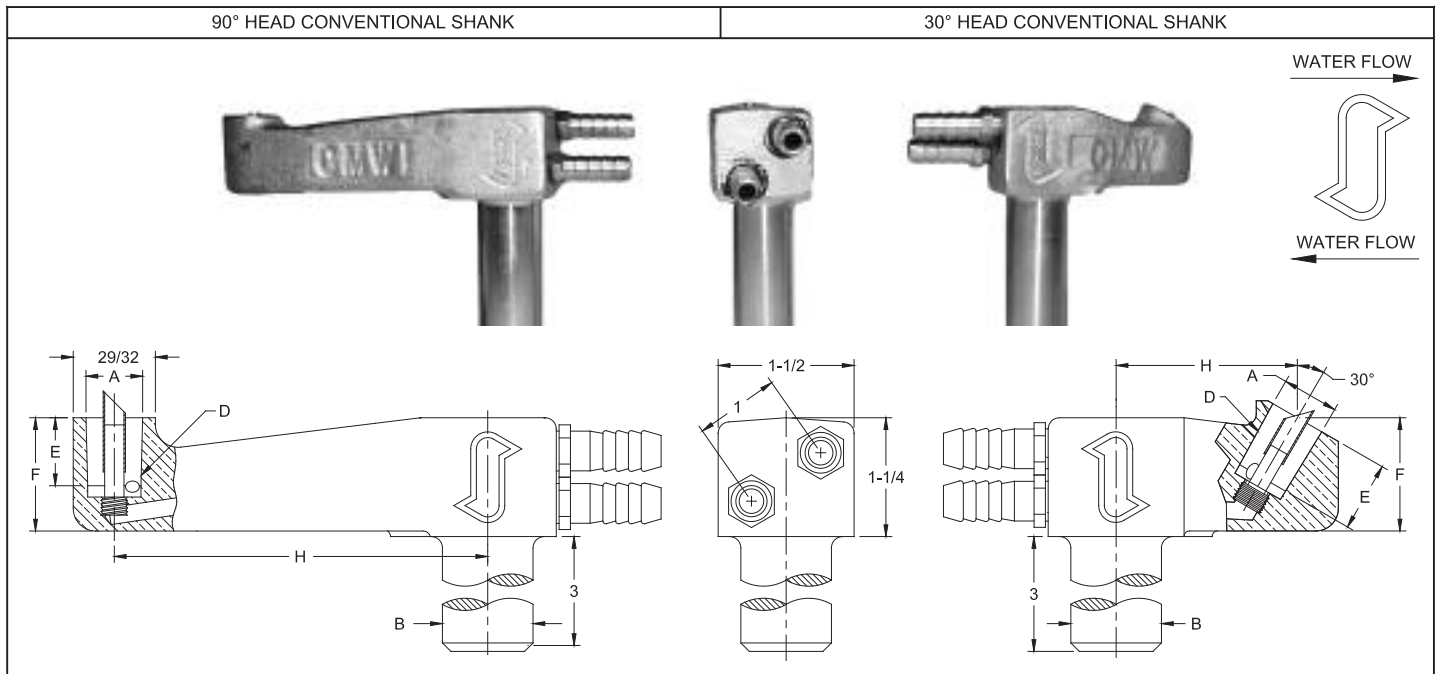


Phone: 888-654-9353

Fax: 937-253-2324

Email: sales@productionengineering.com

400 SERIES OFFSET (NON-EJECTOR) WATER COOLED ELECTRODE HOLDERS



400 SERIES OFFSET HOLDER (CONVENTIONAL SHANK 90°)

| Part No. Holder Assy. | Major Taper Dia. A* | Shank Dia. B* | RW Taper D | Engagement With Electrode E | Head Height F | Offset H |
|-----------------------|---------------------|---------------|------------|-----------------------------|---------------|----------|
| 18-402 | .463 | 7/8 | 4 RW | 1/2 | 1-1/16 | 2 |
| 18-403 | | 1 | | | | |
| 18-404 | | 1-1/4 | | | | |
| 18-407 | .625 | 7/8 | 5 RW | 3/4 | 1-1/4 | 2 |
| 18-408 | | 1 | | | | |
| 18-409 | | 1-1/4 | | | | |
| 18-422 | .463 | 7/8 | 4 RW | 1/2 | 1-1/16 | 4 |
| 18-423 | | 1 | | | | |
| 18-424 | | 1-1/4 | | | | |
| 18-428 | .625 | 1 | 5 RW | 3/4 | 1-1/4 | 4 |
| 18-429 | | 1-1/4 | | | | |

*Other shank diameters and lengths or tapers available on special order

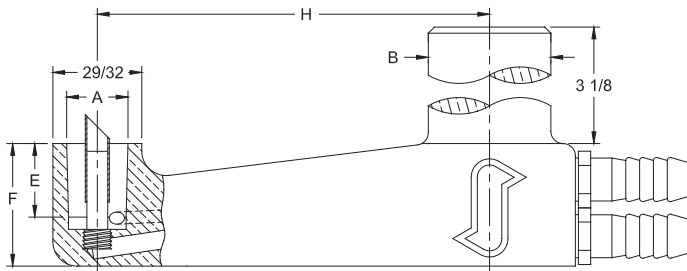
400 SERIES OFFSET HOLDER (CONVENTIONAL SHANK 30°)

| Part No. Holder Assy. | Major Taper Dia. A* | Shank Dia. B* | RW Taper D | Engagement With Electrode E | Head Height F | Offset H |
|-----------------------|---------------------|---------------|------------|-----------------------------|---------------|----------|
| 18-442 | .463 | 7/8 | 4 RW | 1/2 | 1 | 2 |
| 18-443 | | 1 | | | | |
| 18-444 | | 1-1/4 | | | | |
| 18-448 | .625 | 1 | 5 RW | 3/4 | 1-1/4 | 2 |
| 18-449 | | 1-1/4 | | | | |
| 18-462 | .463 | 7/8 | 4 RW | 1/2 | 1 | 4 |
| 18-463 | | 1 | | | | |
| 18-464 | | 1-1/4 | | | | |
| 18-468 | .625 | 1 | 5 RW | 3/4 | 1-1/4 | 4 |
| 18-469 | | 1-1/4 | | | | |

*Other shank diameters and lengths or tapers available on special order

400 SERIES OFFSET (NON-EJECTOR) WATER COOLED ELECTRODE HOLDERS

90° HEAD REVERSE SHANK



400 SERIES OFFSET HOLDER (REVERSE SHANK 90°)

| Part No. Holder Assy. | Major Taper Dia. A* | Shank Dia. B* | RW Taper D | Engagement With Electrode E | Head Height F | Offset H |
|-----------------------|---------------------|---------------|------------|-----------------------------|---------------|----------|
| 18-433 | .463 | 1 | 4 RW | 1/2 | 1-1/16 | 4 |
| 18-439 | .625 | 1-1/4 | 5 RW | 3/4 | 1-1/4 | 4 |

*Other shank diameters and lengths or tapers available on special order



